

ASSEMBLY INTRUCTION

ITEM # KS024 SAINT PETE BARSTOOL
 SIZE: 19 1/4"x22 3/4"x42"H



Thanks for your purchasing this quality product

ASSEMBLY TIPS:

1. Remove hardware from box and sort by side
2. Please check to see that all hardware and parts are present prior start of assembly
3. Please follow attached instructions in the same sequence as numbered to assure fast & easy assembly

Warning !

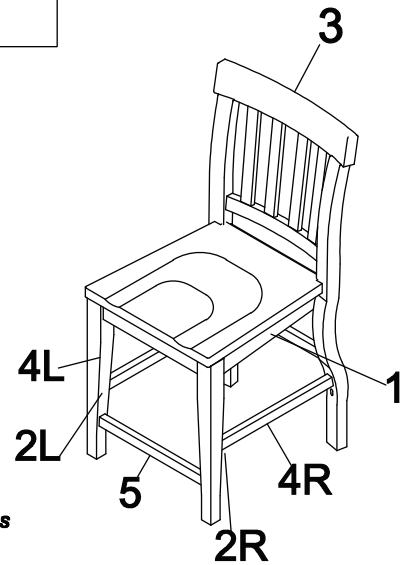
1. Don't attempt to repair or modify parts that are broken or defective. Please contact the store immediately.
2. This product is for home use only and not intended for commercial establishment.

HARDWARE LIST			
No.	Description		Qty
A	Allen Key M4 (Short)		1 Pc
B	Jcbsc Screw 1/4" x 3"		4 Pcs
C	Jcbsc Screw 1/4" x 1.5"		3 Pcs
D	Spring Washer 5/16"		11 Pcs
E	Flat Washer 5/16"		11 Pcs
F	Wood screw Ø4X38mm		6 Pcs
G	Hex nut 5/16"		4 Pcs
H	Spanner 12.8		1 Pc

PART LIST		
No.	Description	Qty
1	Box frame & Seat	1 Pc
2	Front leg L&R	2 Pcs
3	Back rest	1 Pc
4	Side stretcher L&R	2 Pcs
5	Front stretcher	1 Pc

CARE & MAINTENANCE:

- *The touch of the soft cloth is all the maintenance your wood pieces will ever need.
- *Never use harsh chemicals or abrasive cleaner as they could marks or destroy finish.

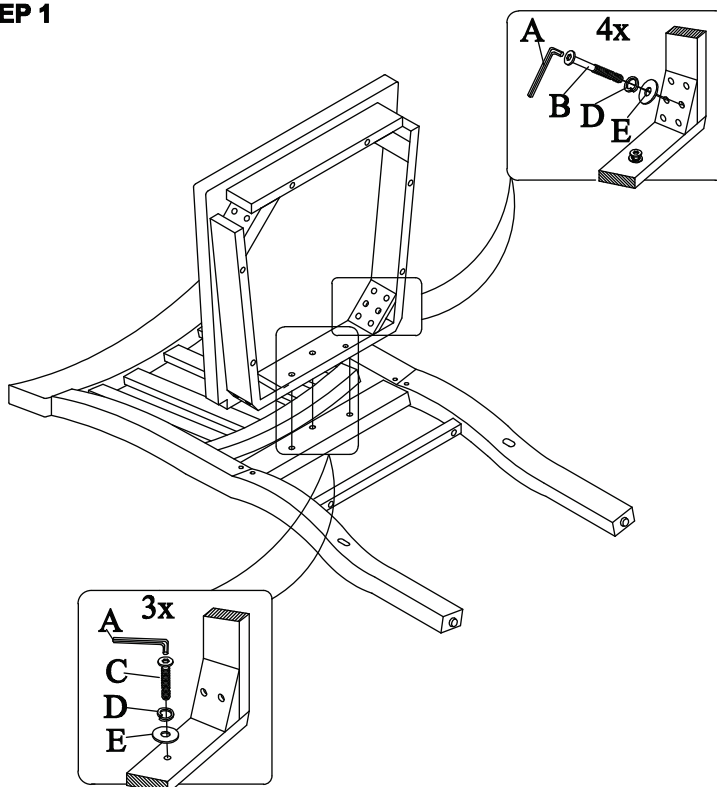


FULLY SETUP

IMPORTANT NOTE:

- * Place all wooden parts on a clean and smooth surface such as a rug or carpet to avoid the parts from being scratched.
- * Before you begin. Kindly follow the assembly instructions step by step.

STEP 1



STEP 2

